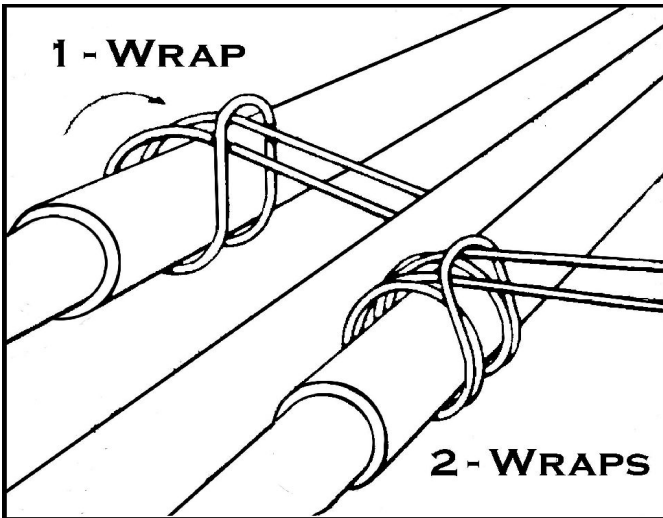


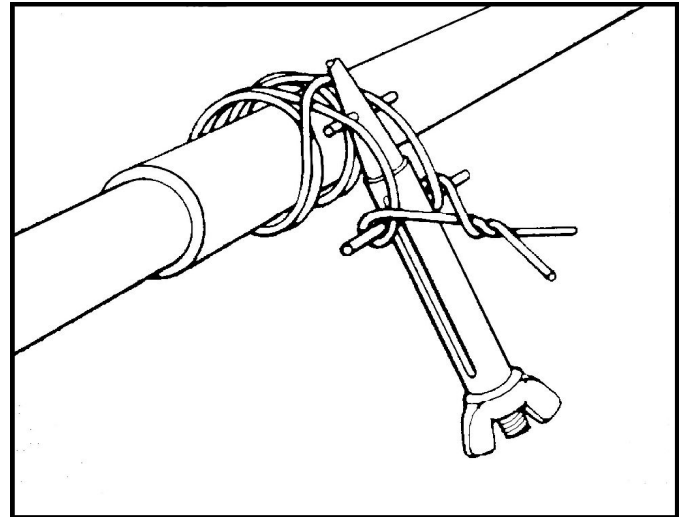
# CLAMP TITE™

**CLAMP ANYTHING...  
ANY SIZE, ANY SHAPE,  
ANYWHERE**

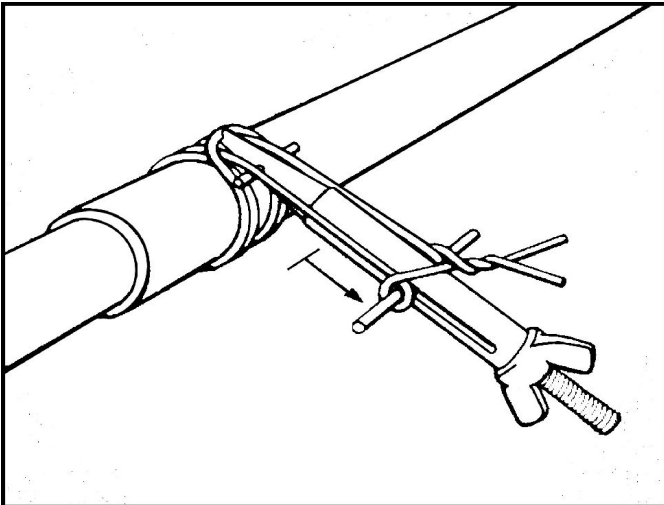
## INSTRUCTIONS FOR A DOUBLE WRAP CLAMP



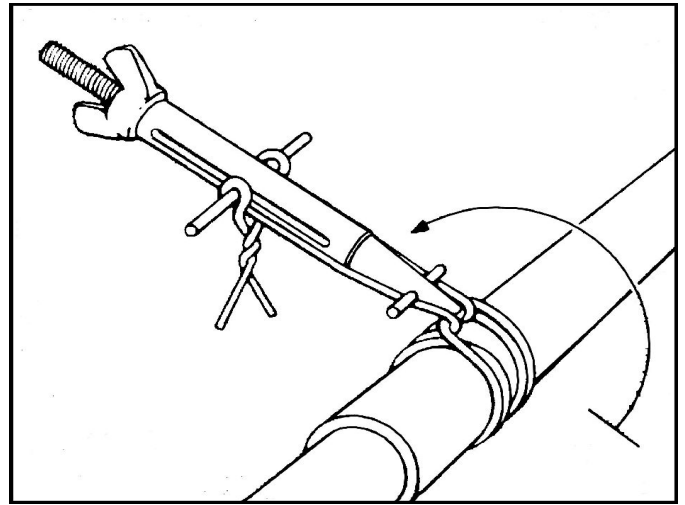
**STEP 1:** CUT WIRE TO LENGTH (15 TIMES THE DIAMETER OF THE HOSE PLUS 12"). FOLD WIRE IN HALF, TAPE (OR WIRE NUT) ENDS TOGETHER AND WRAP AROUND HOSE WHERE YOU WANT A CLAMP. TUCK THE ENDS THROUGH THE LOOP.



**STEP 2:** WRAP AROUND (INSIDE THE FIRST WRAP), TUCK THRU LOOP AGAIN AND REMOVE TAPE (OR WIRE NUT). PLACE TOOL AS SHOWN, WITH WIRE OVER FRONT PIN AND AROUND REAR PIN. TWIST ENDS TOGETHER TIGHTLY.



**STEP 3:** PLACE NOTCH AT END OF TOOL AGAINST THE WIRE LOOP AND TURN WINGNUT CLOCKWISE TO TIGHTEN.



**STEP 4:** ROTATE TOOL OVER TO LOCK THE CLAMP. LOOSEN WINGNUT AND REMOVE THE CLAMP TITE TOOL. CLIP OFF WIRE ENDS ABOUT 1/4 INCH FROM CLAMP AND PUSH ENDS DOWN AGAINST THE HOSE.

**YOUR IMAGINATION IS THE ONLY LIMIT!**

**[www.akcooltools.com](http://www.akcooltools.com)**